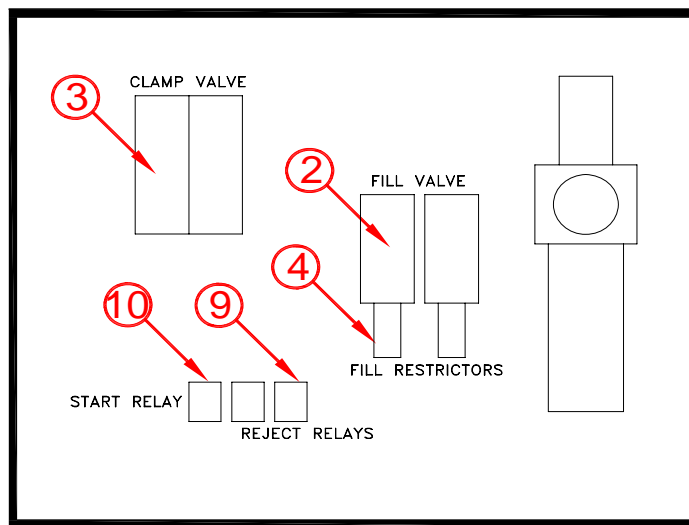
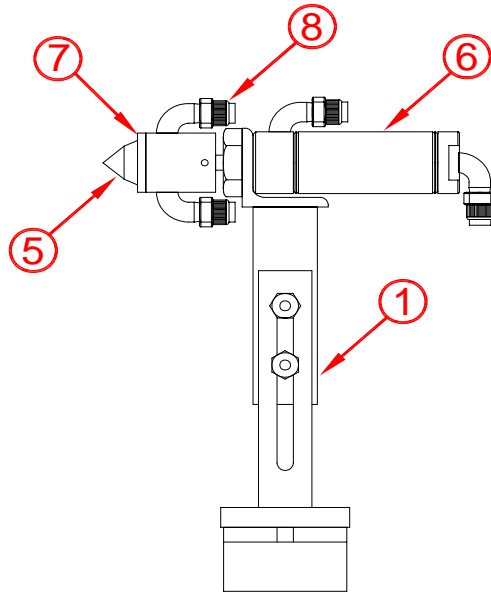




QT-210 LEAK TESTER SPARE PARTS LIST

PART #	DESCRIPTION	QTY	ITEM
	Leak Tester Stand	EA.	1
L100-002	Fill Valve	EA.	2
L100-003	Clamp Valve	EA.	3
L100-004A	Fill Restrictor	EA.	4
10631	Nose Cone Standard (38mm)	EA.	5
M100-980	Nose Cone Cylinder	EA.	6
M102-118	Nose Cone Gaskets Std. 1-1/2" X 3/4" X 30 Duro.	EA.	7
	90° Swivel Elbow	EA.	8
E100-271	Reject Relay LY24VDC	EA.	9
E100-080	Start Relay LY2-120VAC	EA.	10
L100-093	PC Board - ID5	EA.	Not Shown
	PC Board Trade In	EA.	Not Shown



FRONT VIEW (INSIDE INNER DOOR)