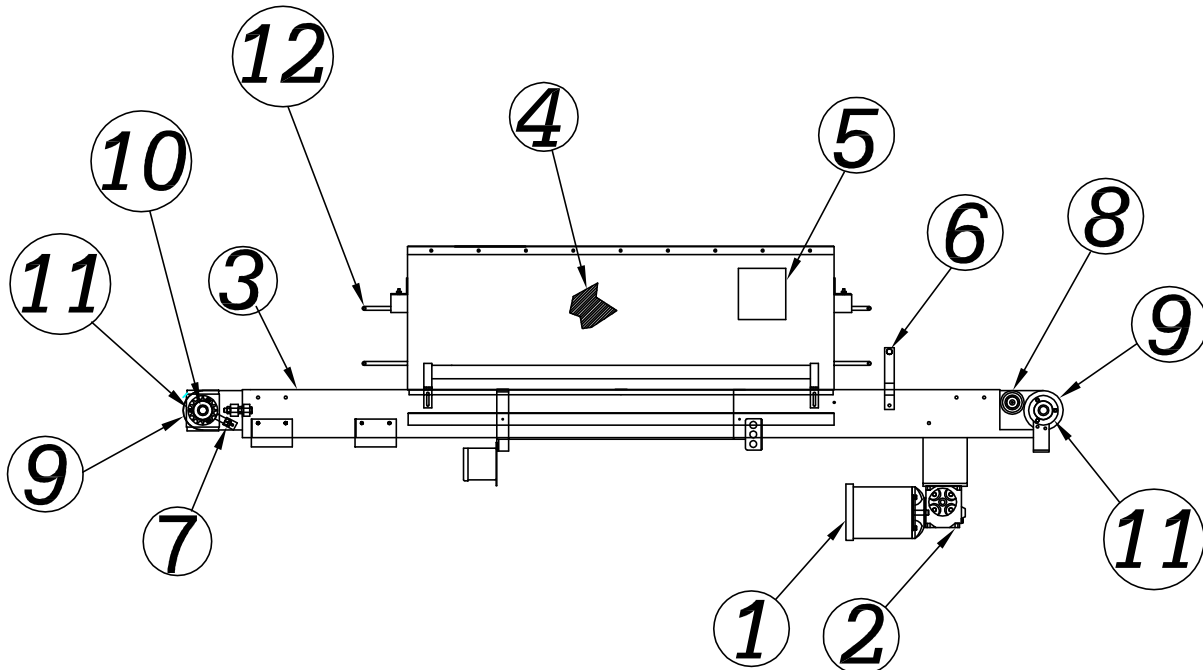




Northern Equipment & Conveyor Co.

ANNEALING OVEN SPARE PARTS

<i>PART NO.</i>	<i>DESCRIPTION</i>	<i>QTY.</i>	<i>ITEM</i>
E100-203	DC MOTOR 1/4HP. 90VDC	EA.	1
M100-435	GEAR BOX	EA.	2
M100-438A	HIGH TEMP. CONVEYOR BELT (19'-1" X 5")	EA.	3
M100-438B	HIGH TEMP CONVEYOR BELT (20'-3" X 5")	EA.	3
E100-199	HEATERS	EA.	4
E100-220	THERMOCOUPLE	EA.	5
E100-036	PHOTO CELL	EA.	N/A
E100-208	BLOW-OFF VALVE	EA.	6
E100-210	SPEED SENSOR	EA.	7
M101-247	3" CABLE SHEAVE W/ BEARING	EA.	8
M101-429	BELT ROLLER 5" DIA.	EA.	9
M101-430	BUSHING X 1"	EA.	10
M101-365	BEARING, 3 BOLT FLANGE X 1" BORE	EA.	11
11576	STAINLESS STEEL WATER COOLED RAIL	EA.	12



ANNEALING OVEN CONTROL PANEL PARTS

PART NO.	DESCRIPTION	QTY.	ITEM
E100-209	SPEED INDICATOR	EA.	12
E100-217	TEMPERATURE CONTROLLER	EA.	13
E100-218	OVER TEMPERATURE CONTROLLER	EA.	14
E100-231	THERMOCOUPLE WIRE	EA.	N/A
E100-221	MERCURY RELAY	EA.	16
E100-713	SPEED CONTROLLER	EA.	17
E100-222	TRANSFORMER	EA.	18
E100-214	FUSES FRS-R-40	EA.	19

